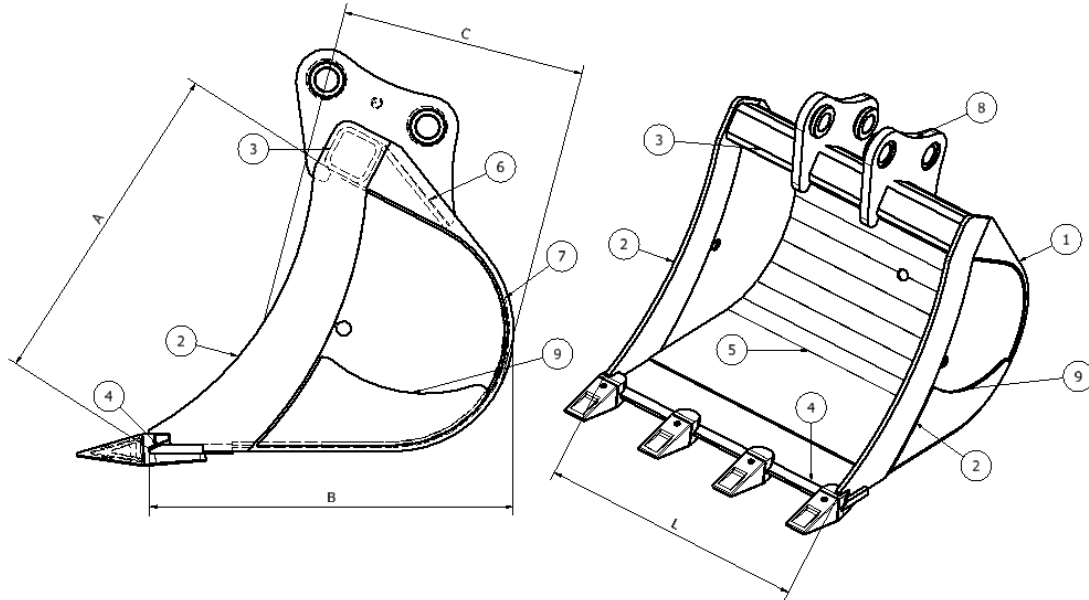




# BENNA SCAVO STANDARD DA 80-100 Q.LI



STD	AR	CR	KLAC	A mm	B mm	C mm
				800	895	590

BS 80-100	1	2	3	4	5	6	7	8	9
<b>Materiale</b>	S 355 JR	HB 400	S 355 JR	HB 400	S 355 JR	S 355 JR	S 355 JR	S 355 JR	S 355 JR
<b>Spessore</b>	8	15	100x100x 8	20	6	10	80x10	20	10

Codice	L mm	Peso kg	Cap. SAE Lt	Denti ESTI 70 n°
BS-80-100 350	350	159	118,2	3
BS-80-100 400	400	167	135,1	3
BS-80-100 500	500	191	169	4
BS-80-100 600	600	212	202,7	4
BS-80-100 700	700	233	236,5	4
BS-80-100 800	800	257	270,3	5
BS-80-100 900	900	276	304	5
BS-80-100 1000	1000	298	338	5
BS-80-100 1200	1200	345	405,5	6