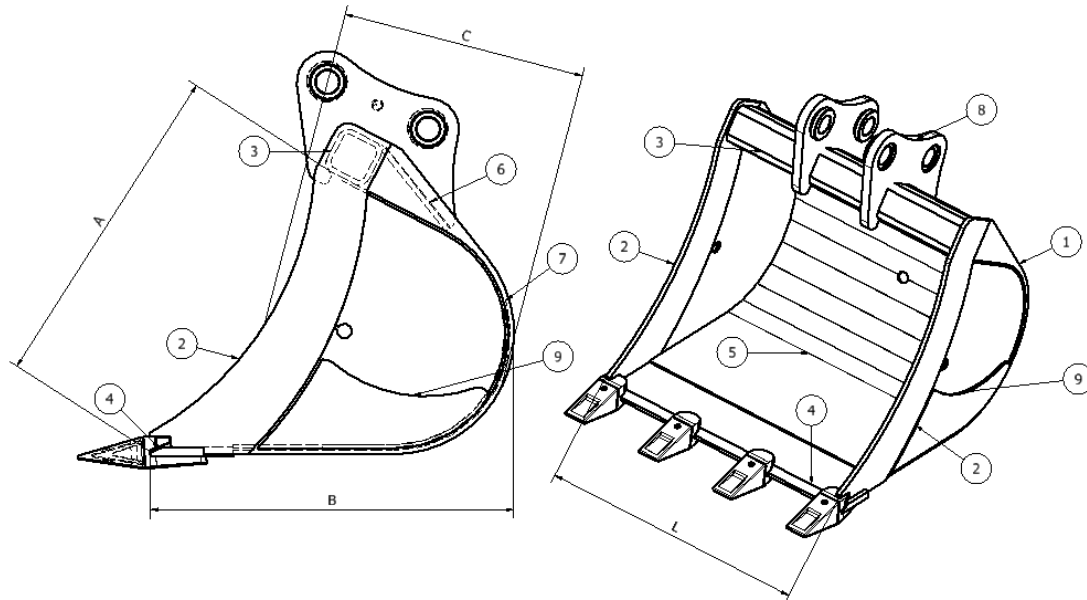




BENNA SCAVO STANDARD DA 60-75 Q.LI



| STD | AR | CR | KLAC | A mm | B mm | C mm |
|-----|----|----|------|---------|---------|---------|
| | | | | 740 | 770 | 510 |

| BS 60-75 | 1 | 2 | 3 | 4 | 5 | 6 | 7 | 8 | 9 |
|------------------|----------|--------|---------------|--------|----------|----------|----------|----------|----------|
| Materiale | S 355 JR | HB 400 | S 355 JR | HB 400 | S 355 JR | S 355 JR | S 355 JR | S 355 JR | S 355 JR |
| Spessore | 5 | 15 | 100X100X 8 | 20 | 5 | 10 | 60X8 | 20 | 10 |

| Codice | L mm | Peso kg | Cap. SAE Lt | Denti ESTI 60 n° |
|---------------|---------|------------|----------------|---------------------|
| BS-60-75 300 | 300 | 124 | 76,7 | 3 |
| BS-60-75 400 | 400 | 139 | 102,3 | 3 |
| BS-60-75 500 | 500 | 151 | 127,8 | 4 |
| BS-60-75 600 | 600 | 164 | 153,5 | 4 |
| BS-60-75 700 | 700 | 178 | 179 | 5 |
| BS-60-75 800 | 800 | 189 | 204,7 | 5 |
| BS-60-75 900 | 900 | 204 | 230,3 | 5 |
| BS-60-75 1000 | 1000 | 219 | 255,9 | 6 |
| BS-60-75 1200 | 1200 | 241 | 307 | 6 |