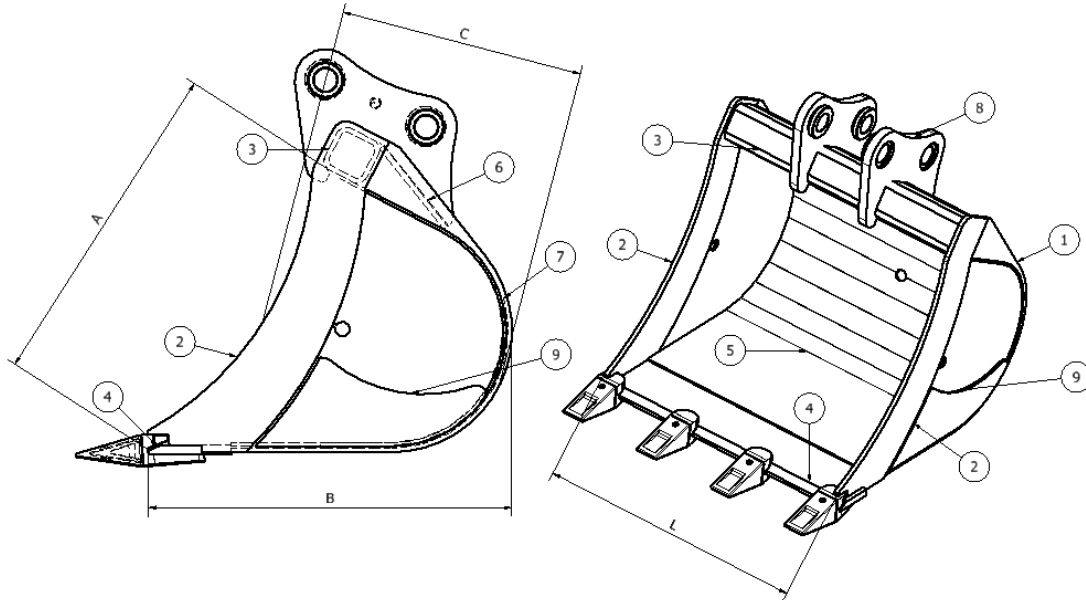

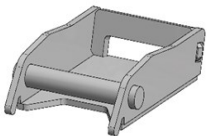
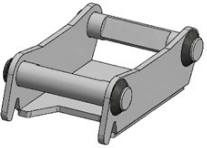
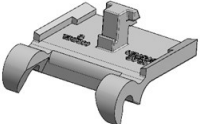




BENNA SCAVO STANDARD

DA 27-38 Q.LI



STD	AR	CR	KLAC	A mm	B mm	C mm
				570	620	420

BS 27-38	1	2	3	4	5	6	7	8	9
Materiale	S 355 JR	S 355 JR	S 355 JR	HB 400	S 355 JR	S 355 JR	S 355 JR	S 355 JR	S 355 JR
Spessore	5	10	80X80X8	16	5	10	60x5	15	5

Codice	L mm	Peso kg	Cap. SAE Lt	Denti ESTI 50 n°
BS-27-38 200	200	54	32,3	2
BS-27-38 250	250	64	40,4	3
BS-27-38 300	300	69	48,4	3
BS-27-38 400	400	82	64,6	4
BS-27-38 500	500	93	81	4
BS-27-38 600	600	102	97	4
BS-27-38 700	700	114	113	5
BS-27-38 800	800	124	129	6
BS-27-38 900	900	136	145,4	6
BS-27-38 1000	1000	150	161,6	7