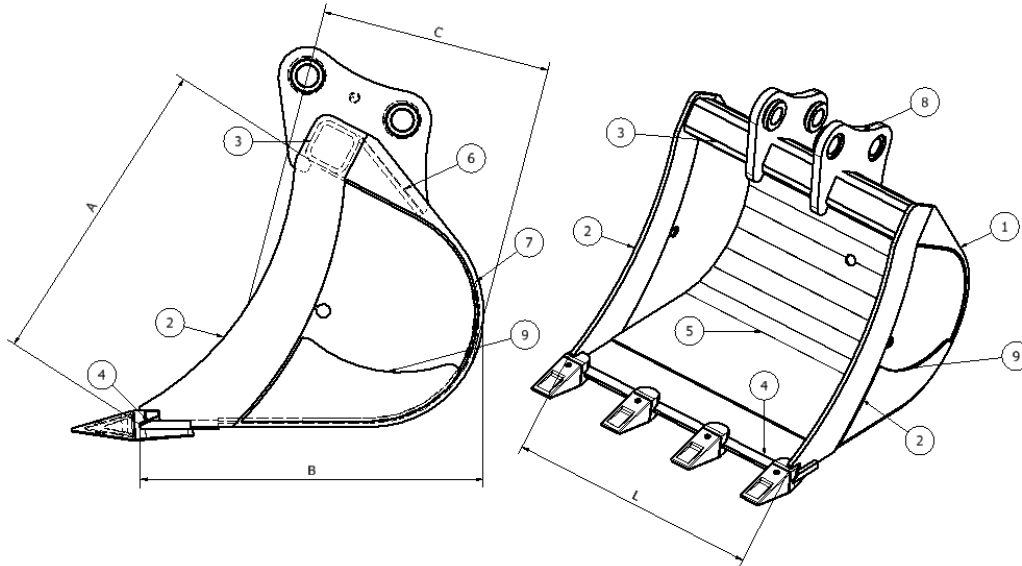
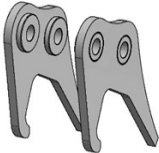
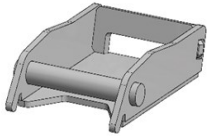
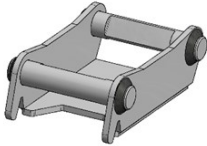
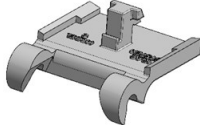




# BENNA SCAVO STANDARD

## DA 13-19 Q.LI



STD	AR	CR	KLAC	A mm	B mm	C mm
				390	450	300

BS 13-19	1	2	3	4	5	6	7	8	9
<b>Materiale</b>	S 355 JR	S 355 JR	S 355 JR	HB 400	S 355 JR	S 355 JR	S 355 JR	S 355 JR	S 355 JR
<b>Spessore</b>	5	10	D60X5	16	4	6	30x5	15	5

Codice	L mm	Peso kg	Cap. SAE Lt	Denti ESTI 40 n°
<b>BS-13-19 200</b>	200	29	14,8	2
<b>BS-13-19 250</b>	250	34	18,5	2
<b>BS-13-19 300</b>	300	36	22,2	3
<b>BS-13-19 400</b>	400	43	29,6	3
<b>BS-13-19 500</b>	500	50	37	4
<b>BS-13-19 600</b>	600	57	44,4	5
<b>BS-13-19 700</b>	700	63	51,8	5