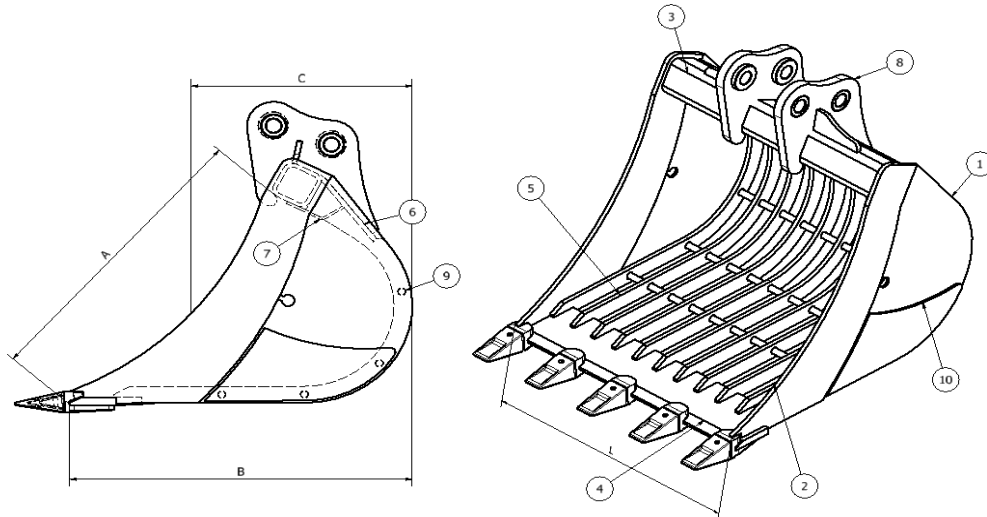




BENNA GRIGLIATA DA 18-25 Q.LI



STD	AR	CR	KLAC	A mm	B mm	C mm
				430	490	350

BG 18-25	1	2	3	4	5	6	7	8	9	10
Materiale	S 355 JR	S 355 JR	S 355 JR	HB 400	S 355 JR	S 355 JR	S 355 JR	S 355 JR	S 275 JR	S 355 JR
Spessore	5	10	80x80x8	16	35x10	10	5	15	D.12mm	5

Codice	L mm	Peso kg	Cap. SAE Lt	Denti ESTI 40 n°
BG-18-25 500	500	72	43,5	4
BG-18-25 600	600	85	52,2	5
BG-18-25 700	700	94	61	5
BG-18-25 800	800	105	69,6	6