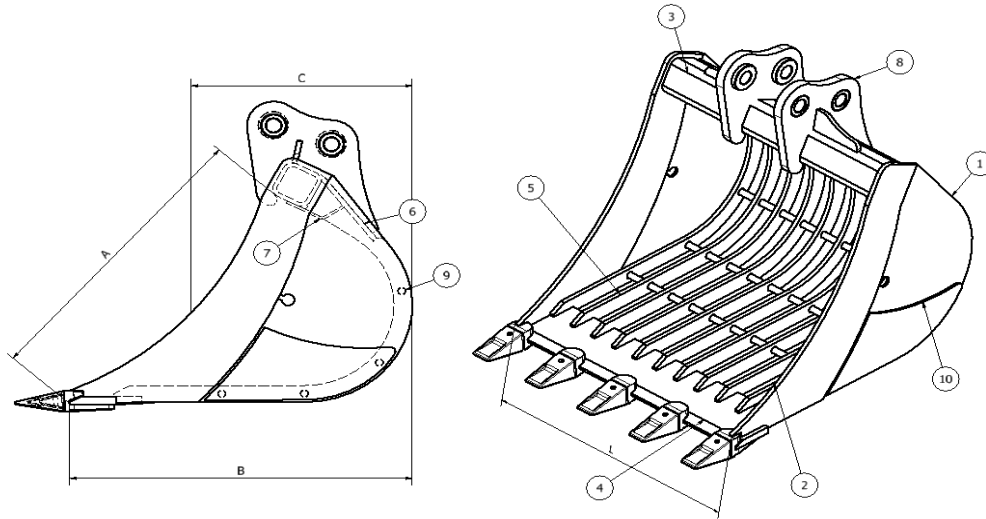
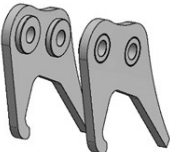
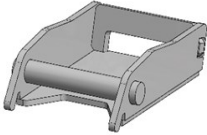
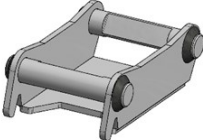
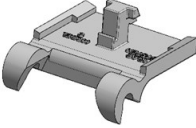




# BENNA GRIGLIATA DA 80-100 Q.LI



STD	AR	CR	KLAC	A mm	B mm	C mm
				755	810	570

BG 80-100	1	2	3	4	5	6	7	8	9	10
<b>Materiale</b>	S 355 JR	HB 400	S 355 JR	HB 400	S 355 JR	S 355 JR	S 355 JR	S 355 JR	S 275 JR	S 355 JR
<b>Spessore</b>	6	15	100x100x8	20	60x12	12	8	20	D.22mm	6

Codice	L mm	Peso kg	Cap. SAE Lt	Denti ESTI 70 n°
<b>BG-80-100 800</b>	800	251	198,6	4
<b>BG-80-100 900</b>	900	266	223,4	5
<b>BG-80-100 1000</b>	1000	285	248,2	6
<b>BG-80-100 1200</b>	1200	320	298	6
<b>BG-80-100 1400</b>	1400	345	347,5	7