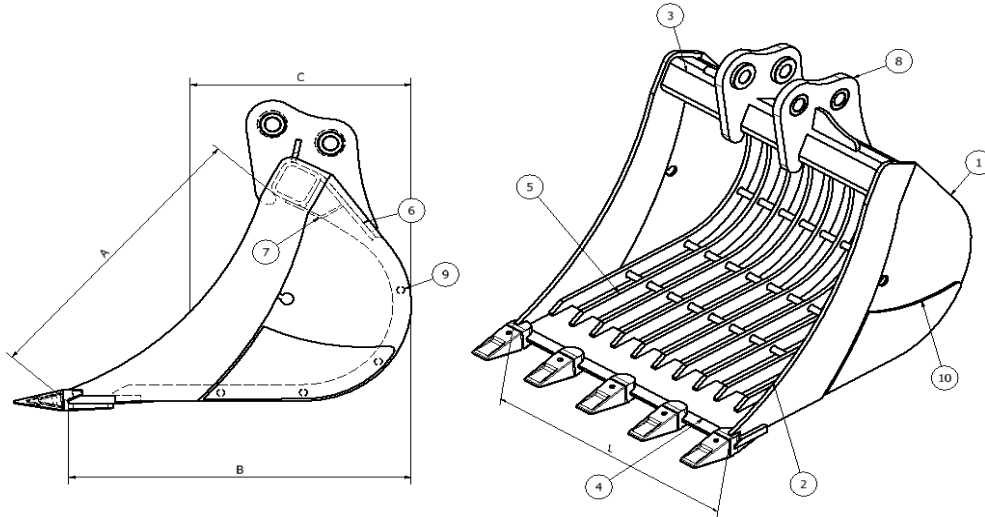




BENNA GRIGLIATA DA 60-75 Q.LI



STD	AR	CR	KLAC	A mm	B mm	C mm
				740	770	510

BG 60-75	1	2	3	4	5	6	7	8	9	10
Materiale	S 355 JR	HB 400	S 355 JR	HB 400	S 355 JR	S 355 JR	S 355 JR	S 355 JR	S 275 JR	S 355 JR
Spessore	5	15	100x100x8	20	50X12	10	8	20	20	6

Codice	L mm	Peso kg	Cap. SAE Lt	Denti ESTI 60 n°
BG-60-75 800	800	225	176	5
BG-60-75 900	900	245	198	5
BG-60-75 1000	1000	263	220	6
BG-60-75 1200	1200	293	264	6