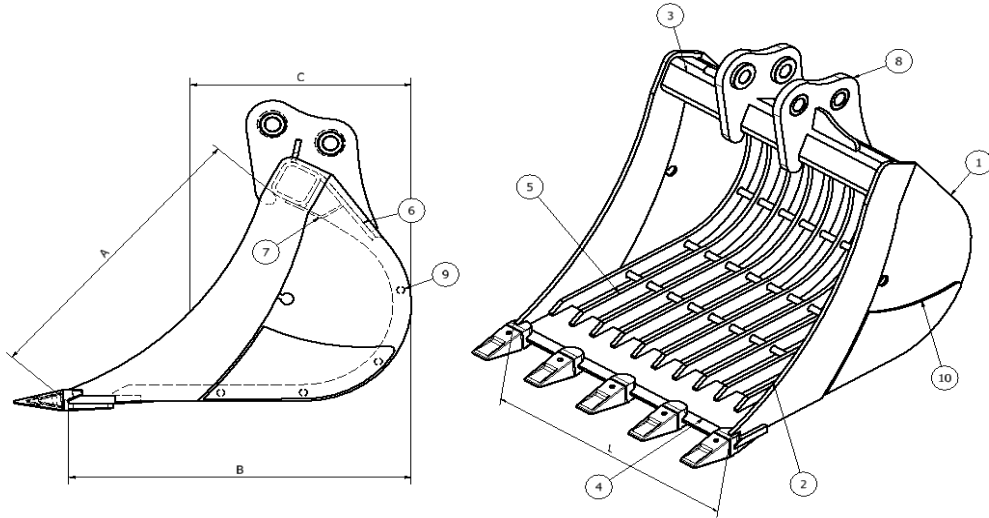




# BENNA GRIGLIATA DA 40-55 Q.LI



STD	AR	CR	KLAC	A mm	B mm	C mm
				640	740	460

BG 40-55	1	2	3	4	5	6	7	8	9	10
<b>Materiale</b>	S 355 JR	HB 400	S 355 JR	HB 400	S 355 JR	S 355 JR	S 355 JR	S 355 JR	S 275 JR	S 355 JR
<b>Spessore</b>	5	10	100x100x8	16	40x10	10	5	20	D.14mm	5

Codice	L mm	Peso kg	Cap. SAE Lt	Denti ESTI 50 n°
BG-40-55 600	600	125	81,6	5
BG-40-55 700	700	139	95,2	5
BG-40-55 800	800	152	109	6
BG-40-55 900	900	168	122,5	6
BG-40-55 1000	1000	184	136	6
BG-40-55 1200	1200	202	163,3	7