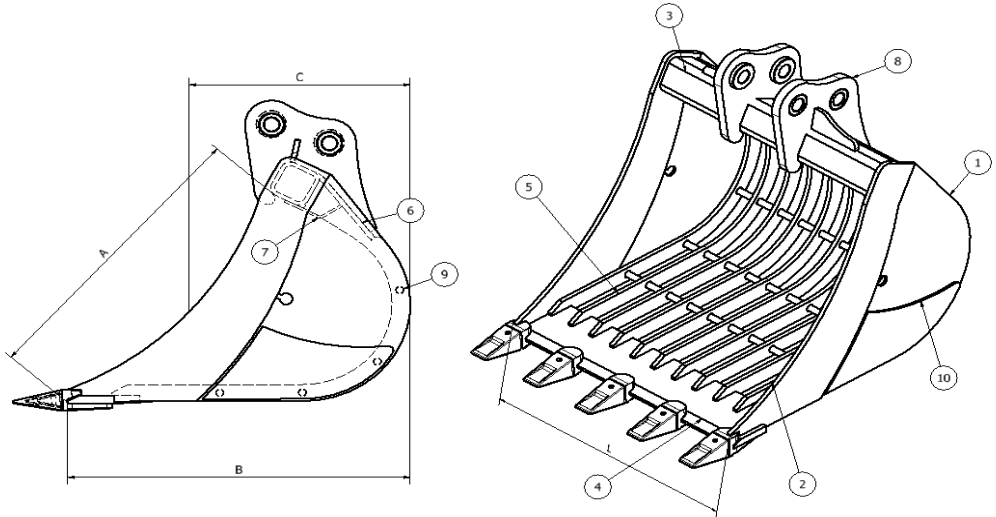




# BENNA GRIGLIATA DA 6-18 Q.LI



STD	AR	CR	KLAC	A mm	B mm	C mm
				410	490	300

BG 06-18	1	2	3	4	5	6	7	8	9	10
<b>Materiale</b>	S 355 JR	S 355JR	S 355 JR	HB 400	S 355 JR	S 355 JR	S 355 JR	S 355 JR	S 275 JR	S 355 JR
<b>Spessore</b>	5	10	D60x5	16	30x8	8	5	15	D.12mm	5

Codice	L <i>mm</i>	Peso <i>kg</i>	Cap. SAE <i>Lt</i>	Denti ESTI 40 <i>n°</i>
BG-06-18 400	400	41	26,8	3
BG-06-18 500	500	48	33,5	4
BG-06-18 600	600	57	40	5
BG-06-18 700	700	63	47	5
BG-06-18 800	800	70	53,6	6