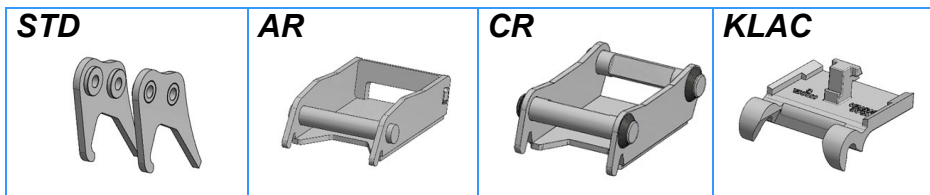
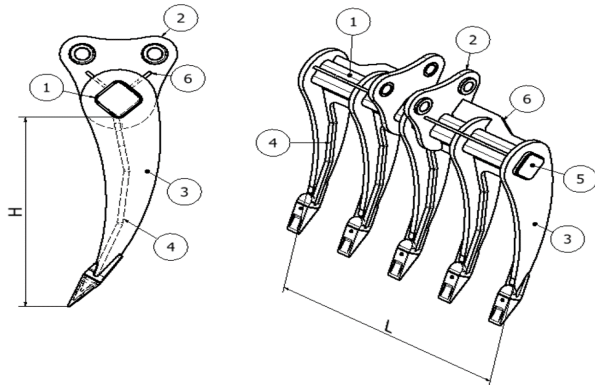




# BENNA RIPPER 5



## Benne Ripper 5-100

| BR5 -10          | 1         | 2        | 3        | 4        | 5        | 6        |  |  |  |
|------------------|-----------|----------|----------|----------|----------|----------|--|--|--|
| <b>Materiale</b> | S 355 JR  | S 355 JR | S 355 JR | S 355 JR | S 355 JR | S 355 JR |  |  |  |
| <b>Spessore</b>  | 100x100x8 | 20       | 20       | 15       | 5        | 10       |  |  |  |

| Codice              | H<br><i>mm</i> | L<br><i>mm</i> | Peso<br><i>kg</i> | Denti ESTI 50<br><i>n°</i> |
|---------------------|----------------|----------------|-------------------|----------------------------|
| <b>BR5-10 60x90</b> | 600            | 900            | 128               | 5                          |
| <b>BR5-10 70x70</b> | 700            | 700            | 135               | 5                          |
| <b>BR5-10 90x90</b> | 900            | 900            | 182               | 5                          |

## Benne Ripper 5 -120

| BR5 -12          | 1         | 2        | 3      | 4        | 5        | 6        |  |  |  |
|------------------|-----------|----------|--------|----------|----------|----------|--|--|--|
| <b>Materiale</b> | S 355 JR  | S 355 JR | HB 400 | S 355 JR | S 355 JR | S 355 JR |  |  |  |
| <b>Spessore</b>  | 120x120x8 | 30       | 30     | 15       | 5        | 10       |  |  |  |

| Codice               | H<br><i>mm</i> | L<br><i>mm</i> | Peso<br><i>kg</i> | Denti ESTI 60<br><i>n°</i> |
|----------------------|----------------|----------------|-------------------|----------------------------|
| <b>BR5-12 80x80</b>  | 800            | 800            | 220               | 5                          |
| <b>BR5-12 80x100</b> | 800            | 1000           | 240               | 5                          |